

WS-450 I-LINE STILE

PRL GLASS
SYSTEMS
INC.



* FINISHES AVAILABLE :
8 POLISHED & # 4 SATIN
STAINLESS
US3 POLISHED & US4 SATIN BRASS
(NON LACQUER COATED)
US10B
ANODIZED PAINTED

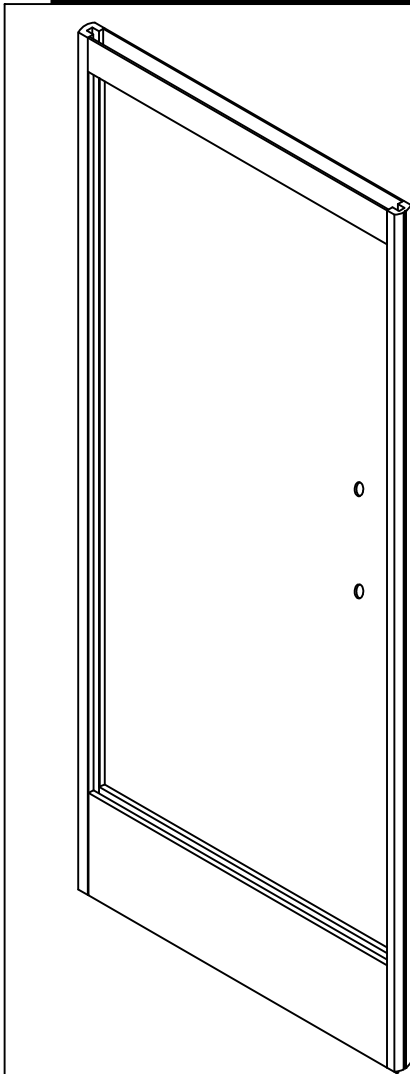
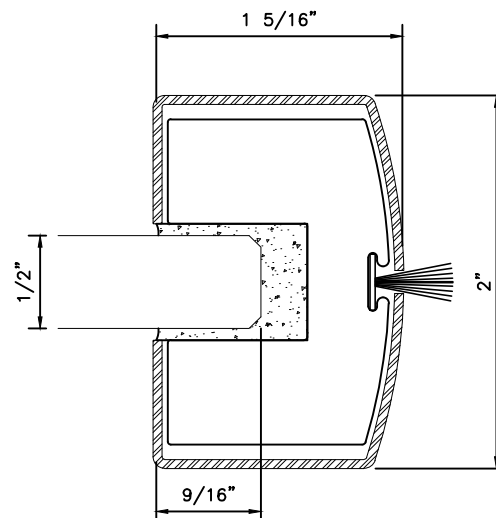
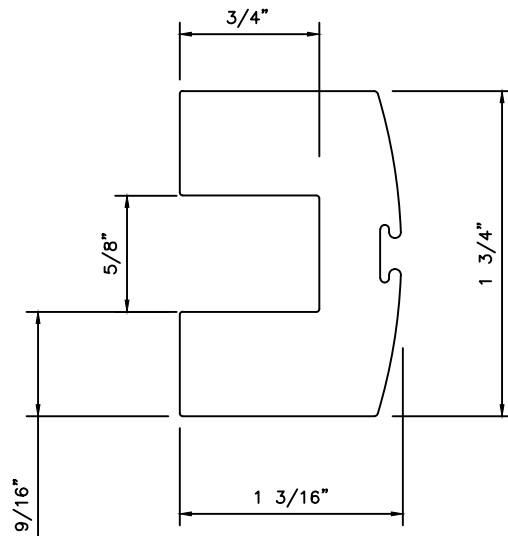
WS-450 DEDUCTS:

NON CLAD= 1-1/4 With mohair

NON CLAD= 1-5/16 Vinyl insert

CLAD = 1-5/16 With mohair

CLAD = 1-3/8 Vinyl insert



WS-450 I-LINE STILE

PRL GLASS
SYSTEMS
INC.



* FINISHES AVAILABLE :
8 POLISHED & # 4 SATIN
STAINLESS
US3 POLISHED & US4 SATIN BRASS
(NON LACQUER COATED)
US10B
ANODIZED PAINTED

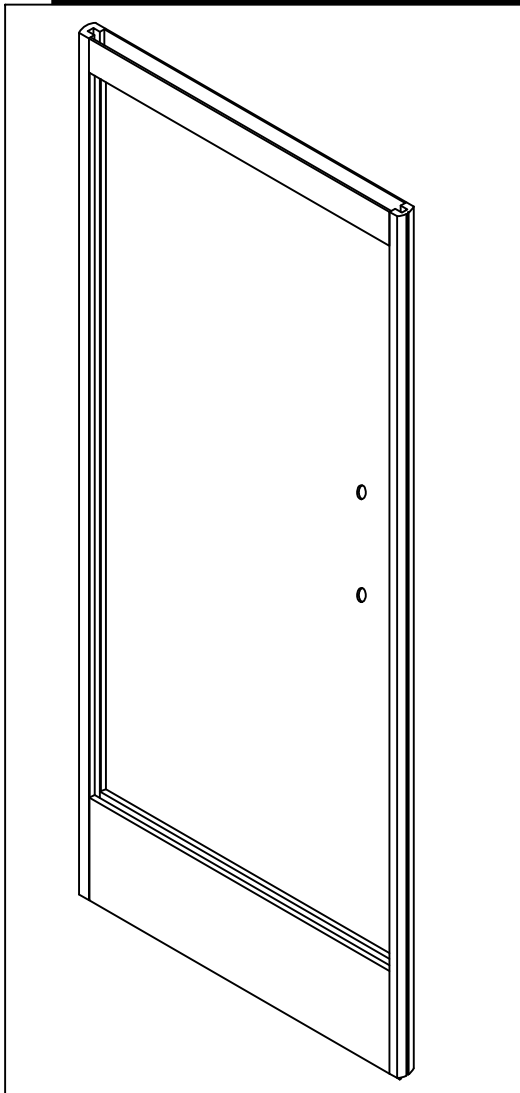
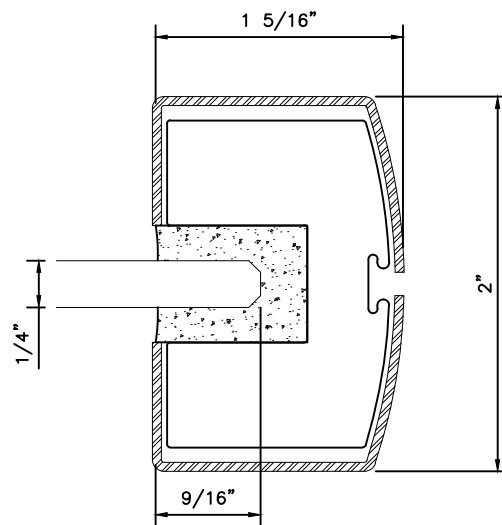
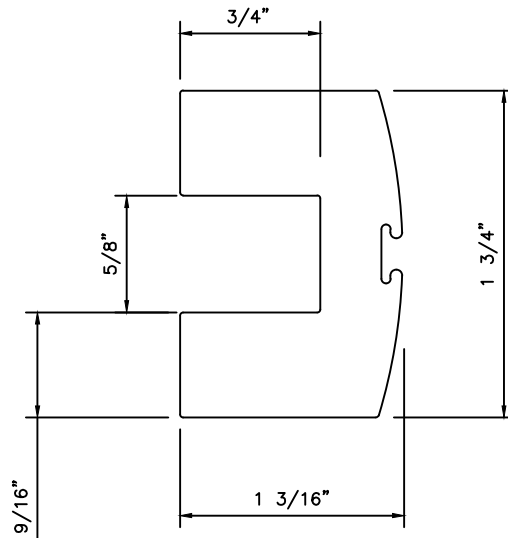
WS-450 DEDUCTS:

NON CLAD= 1-1/4 With mohair

NON CLAD= 1-5/16 Vinyl insert

CLAD = 1-5/16 With mohair

CLAD = 1-3/8 Vinyl insert



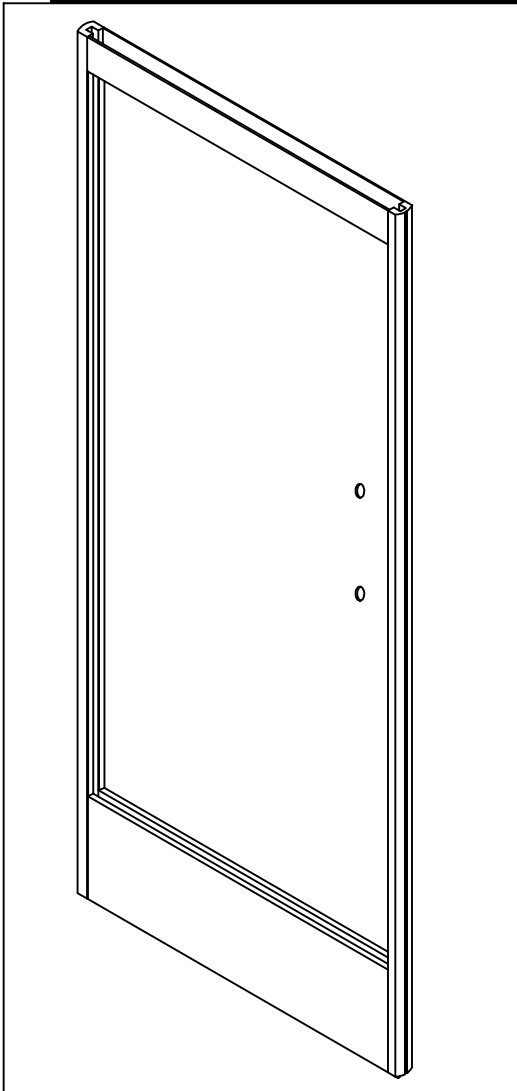
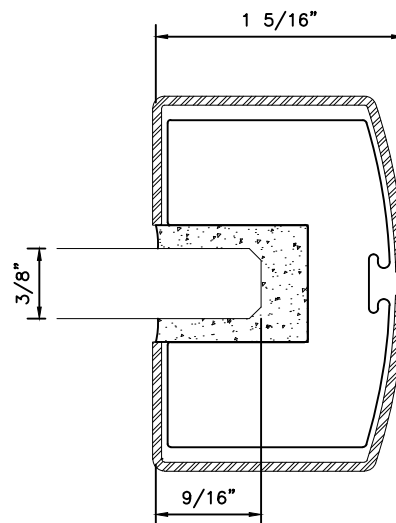
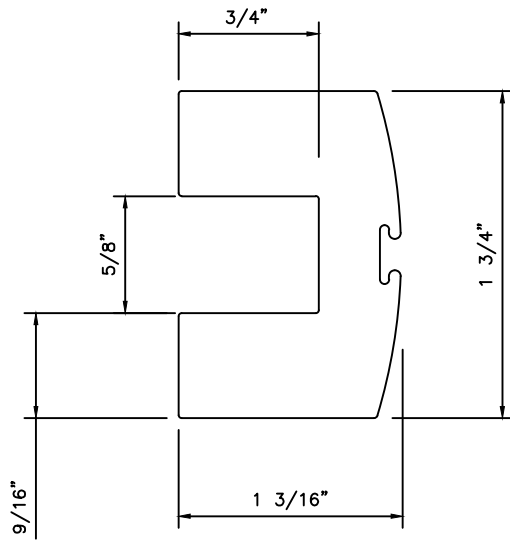
WS-450 I-LINE STILE

PRL GLASS
SYSTEMS
INC.



* FINISHES AVAILABLE :
8 POLISHED & # 4 SATIN
STAINLESS
US3 POLISHED & US4 SATIN BRASS
(NON LACQUER COATED)
US10B
ANODIZED PAINTED

WS-450 DEDUCTS:
NON CLAD= 1-1/4 With mohair
NON CLAD= 1-5/16 Vinyl insert
CLAD = 1-5/16 With mohair
CLAD = 1-3/8 Vinyl insert



WS-450 I-LINE STILE

PRL GLASS
SYSTEMS
INC.



* FINISHES AVAILABLE :
8 POLISHED & # 4 SATIN
STAINLESS
US3 POLISHED & US4 SATIN BRASS
(NON LACQUER COATED)
US10B
ANODIZED PAINTED

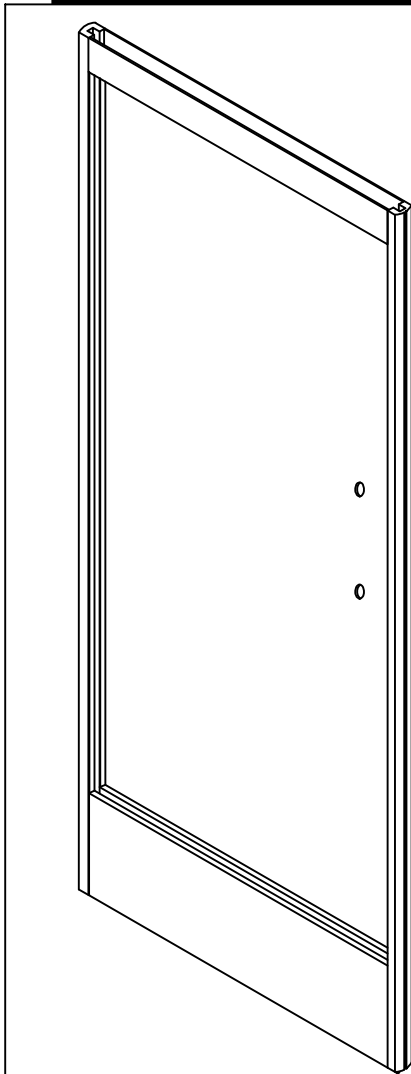
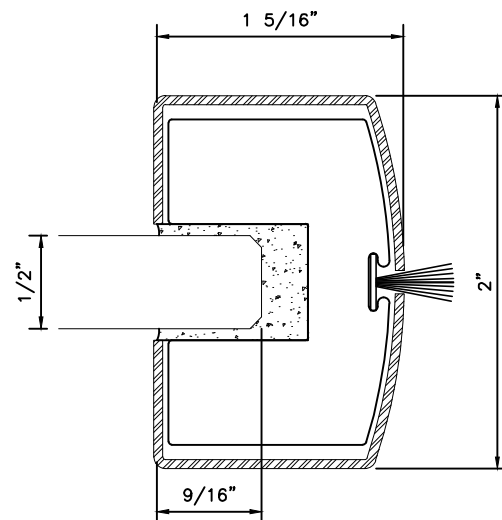
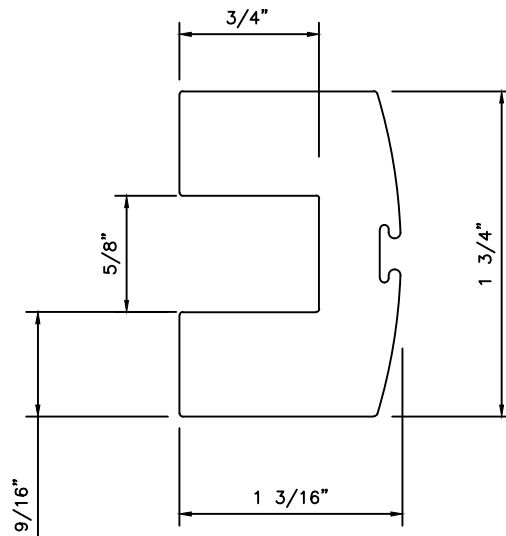
WS-450 DEDUCTS:

NON CLAD= 1-1/4 With mohair

NON CLAD= 1-5/16 Vinyl insert

CLAD = 1-5/16 With mohair

CLAD = 1-3/8 Vinyl insert



WS-450 I-LINE STILE

PRL GLASS
SYSTEMS
INC.



* FINISHES AVAILABLE :
8 POLISHED & # 4 SATIN
STAINLESS
US3 POLISHED & US4 SATIN BRASS
(NON LACQUER COATED)
US10B
ANODIZED PAINTED

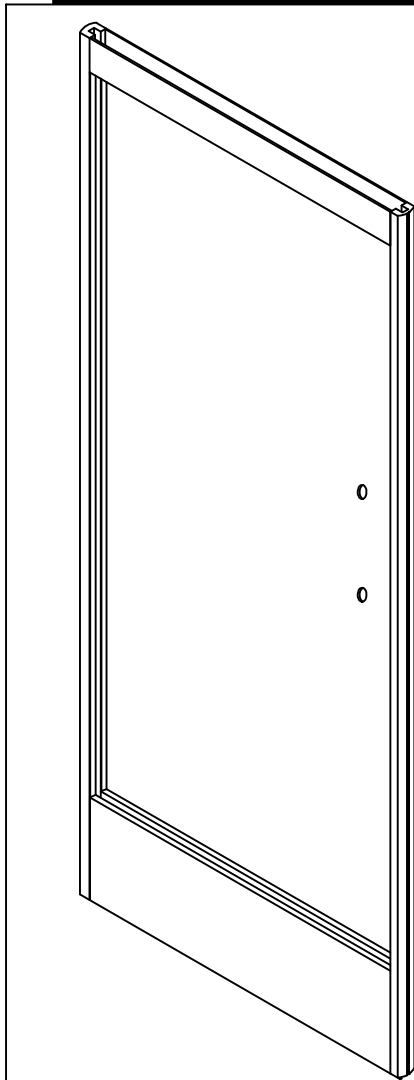
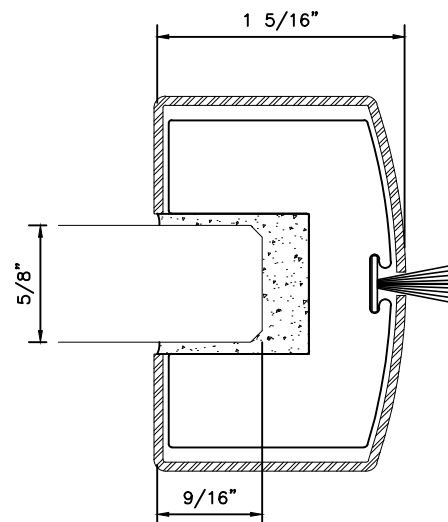
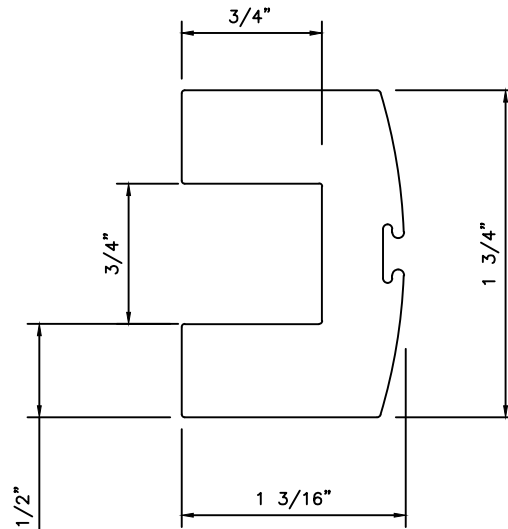
WS-450 DEDUCTS:

NON CLAD= 1-1/4 With mohair

NON CLAD= 1-5/16 Vinyl insert

CLAD = 1-5/16 With mohair

CLAD = 1-3/8 Vinyl insert



WS-475 I-LINE STILE

PRL GLASS
SYSTEMS
INC.



* FINISHES AVAILABLE :
8 POLISHED & # 4 SATIN
STAINLESS
US3 POLISHED & US4 SATIN BRASS
(NON LACQUER COATED)
US10B
ANODIZED PAINTED

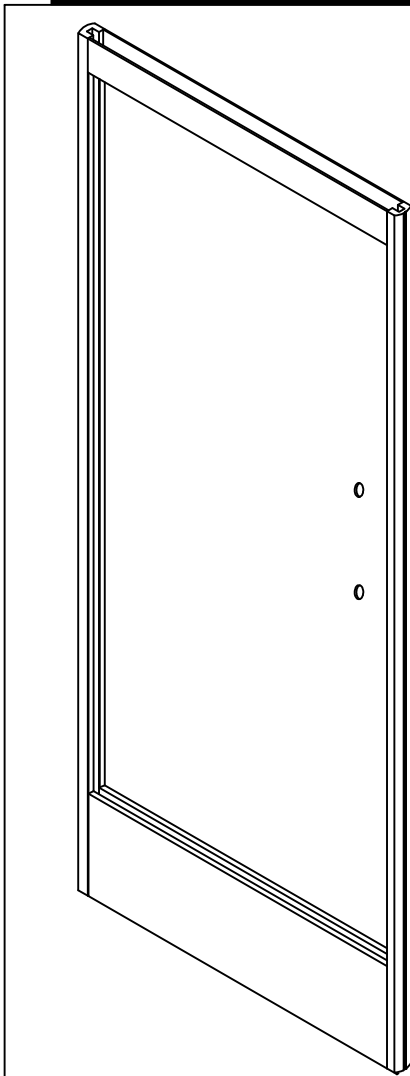
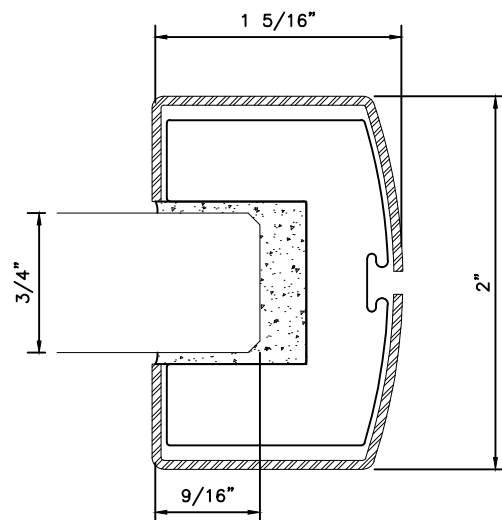
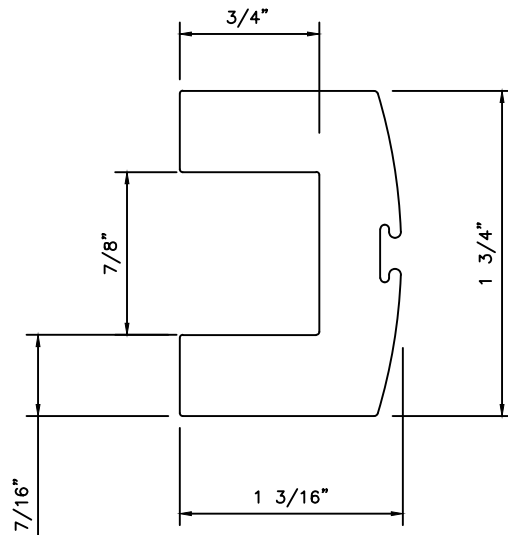
WS-475 DEDUCTS:

NON CLAD= 1-1/4 With mohair

NON CLAD= 1-5/16 Vinyl insert

CLAD = 1-5/16 With mohair

CLAD = 1-3/8 Vinyl insert



WS-878 I-LINE STILE

PRL GLASS
SYSTEMS
INC.



* FINISHES AVAILABLE :
8 POLISHED & # 4 SATIN
STAINLESS
US3 POLISHED & US4 SATIN BRASS
(NON LACQUER COATED)
US10B
ANODIZED PAINTED

WS-878 DEDUCTS:

NON CLAD= 13/16 With mohair

NON CLAD= 7/8 Vinyl insert

CLAD = 7/8 With mohair

CLAD = 15/16 Vinyl insert

